

PX0003 3300216Z

OO HQ SF TP WF

DE PX

O 260216Z NOV 78

FM PHOENIX (89 271) P

TO DIRECTOR (89 4286) IMMEDIATE

SAN FRANCISCO (89 250) IMMEDIATE

TAMPA IMMEDIATE

WFO (89 570) IMMEDIATE

BT

UNCLAS

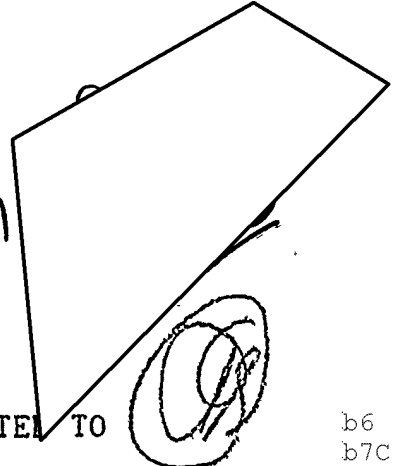
RY MUR.

76 Nov 78 02 22z

RECEIVED  
FEDERAL BUREAU  
OF INVESTIGATION  
COMMUNICATIONS SECTION

Assoc. Dir.	_____
Dep. AD Adm.	_____
Dep. AD Inv.	_____
Asst. Dir.:	_____
Adm. Serv.	_____
Crim. Inv.	_____
Ident.	_____
Intcl.	_____
Laboratory	_____
Legal Coun.	_____
Plan. & Insp.	_____
Rec. Mgnt.	_____
Tech. Servs.	_____
Training	_____
Public Affs. Off.	_____
Telephone Rm.	_____
Director's Sec'y	_____

ALL INFORMATION CONTAINED  
HEREIN IS UNCLASSIFIED  
DATE 9/24/92 BY 1015 DEN/ldh



b6  
b7c

RE PXTEL TO WFO, NOVEMBER 24, 1978 AND SAN ANTONIO TEL TO  
PHOENIX AND RECEIVING OFFICES NOVEMBER 25, 1978. (u)

ON NOVEMBER 25, 1978, [REDACTED] PHOENIX, ARIZONA,  
ADVISED AMATURE RADIO OPERATOR [REDACTED] OF WHICH HE WAS PREVIOUSLY  
UNSURE OF CALL SIGN, IS IN REALITY [REDACTED] ASSIGNED TO [REDACTED]  
[REDACTED] CLEARWATER, FLORIDA/SAFETY HARBOR, FLORIDA. (u)

WFO DISCONTINUE EFFORTS TO IDENTIFY TRANSPOSITION OF CALL  
LETTERS [REDACTED] AS REQUESTED BY PHOENIX IN REFERENCED TELETYPE. (u)

BT

89-4286-415

REC-102

23 NOV 27 1978

58 DEC 1 1978